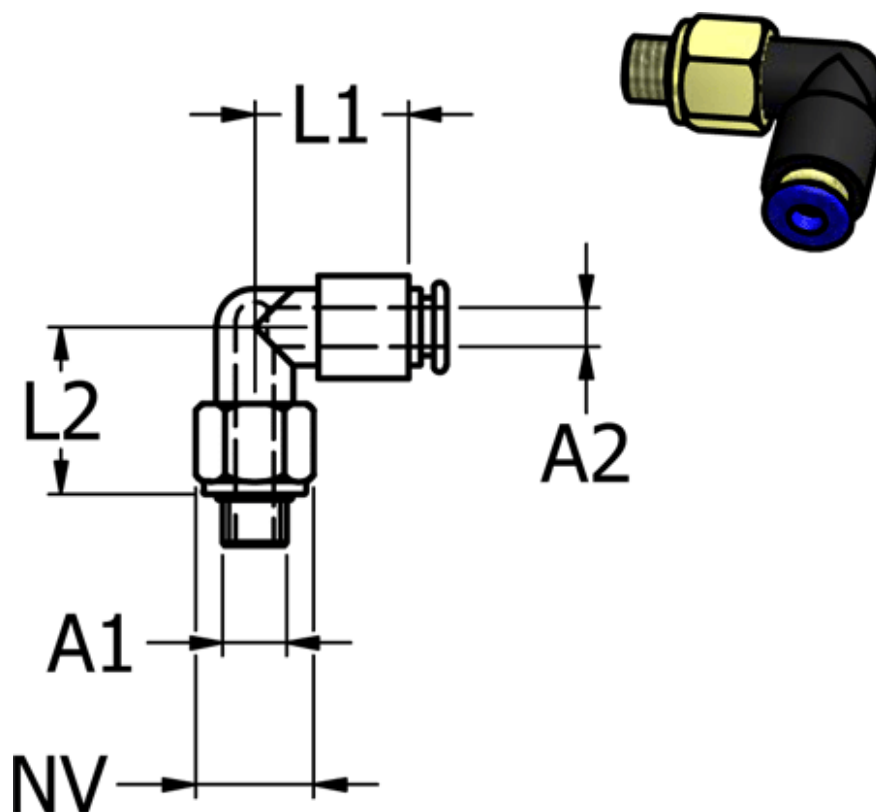


Article number: 586PL63

Description: Mini Push-in PL63, angle, M6 hose Ø3

Measures



Ext. hose diameter A2 = 3 mm

L1 = 12

L2 = 16.5

NV = 10

Thread A! = M6